

tapflo®

# CTV VERTICAL CENTRIFUGAL PUMPS

2020 | 1



» All about your flow™

[www.tapflo.com](http://www.tapflo.com)

## » All about your flow™

*We began our journey 40 years ago in Kungälv, a small town on the Swedish west coast, as a family company with an ambition to one day become a global player on the pump market.*

Since 1980, we have taken pride in delivering a wealth of knowledge and passion for pumps to the industry, whilst supplying a wide range of premium products for various industrial applications.

Over the years, the company has developed into a global Tapflo Group with branches and distributors present in nearly every region of the world.

One thing did not change - we are still a family company.

Our solutions are designed and manufactured in Europe and distributed globally to offer the best service and flow solutions to our customers for a variety of applications.

Our values, Commitment, Quality and Simplicity are reflected both in our product and business approach.



**For fast and flexible service and high-quality products readily available worldwide, choose Tapflo.**

## Quality commitment

At Tapflo we are simply committed to quality. As a result, our production standards, as well as products quality, comply with various globally recognised certification and quality control standards. The Tapflo manufacturing process is certified according to ISO 9001:2015, confirming that our processes are appropriate, effective, customer-focused and continuously improved.



## Tapflo values

Our culture is concluded in Our values

### Commitment

We are different from our competitors because of our willingness to exceed the customers' expectations, move fast and be flexible. Our culture is based on the spirit of togetherness, enthusiasm and integrity. We come from all over the world but we share the same values and we respect each other. We are committed.

### Quality

We understand that the quality in our work is never better than the weakest link, that's why we focus on every small detail. We share a common passion for continuously finding more efficient and effective ways to provide value to our customers. As a manufacturer we have control of the complete process both in terms of our products and the way we operate internally. That is why we manufacture the highest quality pumps in our segment.

### Simplicity

We have a saying, "Simple is art" which means we try to find smooth and uncomplicated solutions in everything. By keeping it simple we can focus on the essential, like designing uncomplicated pumps with few components. For us it is a key to success; strive to simplify what is complex.

# CTV Vertical Pumps

The superior solution for a reliable fluid circulation & transfer.

CTV is a single stage vertical centrifugal pump that is simple but very reliable in duty. The pump is specialized for transfer and circulation of various liquids from containers, sumps and tanks. CTV is manufactured from PP (polypropylene), PVDF or stainless steel AISI 316L.



## Features & Benefits

- ✓ **Leakage free and dry running safe**  
CTV is installed vertically with the motor above the liquid surface. In this way the pump does not need any mechanical seal that usually is a source for leakage problems. Furthermore the pump is designed to be dry running safe.
- ✓ **Maintenance free**  
The simple design without bearings or mechanical seals grants for a pump that is usually maintenance free. CTV is also insensitive of solids, particles up to Ø 6 mm are allowed.
- ✓ **Replacing self priming pumps**  
In many installations the CTV pump replaces a self-priming pump. The CTV pump head is submersed in the liquid. The pump operates more reliably compared to a self-priming pump. The submersion depth is up to 425mm (depending on model), but may also be equipped with a suction extension.

CTV pumps are successfully used in various applications in today's industries. Below are some examples.

### Surface treatment

Transfer and return pumping in galvanizing, hot zinc, pickling and oxidation processes

### Water treatment

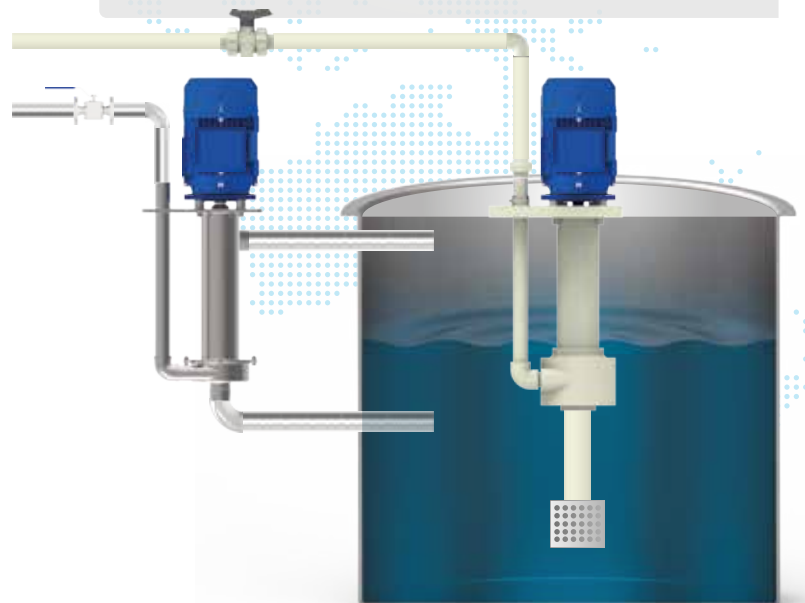
Transfer and return pumping

### Heat exchangers

Return pumping in heat exchangers

### Waste disposal

Emptying sumps



CTV is commonly installed in surface treatment baths, circulating through filter and further to nozzle ramps.

# CTV Pumps in PP & PVDF

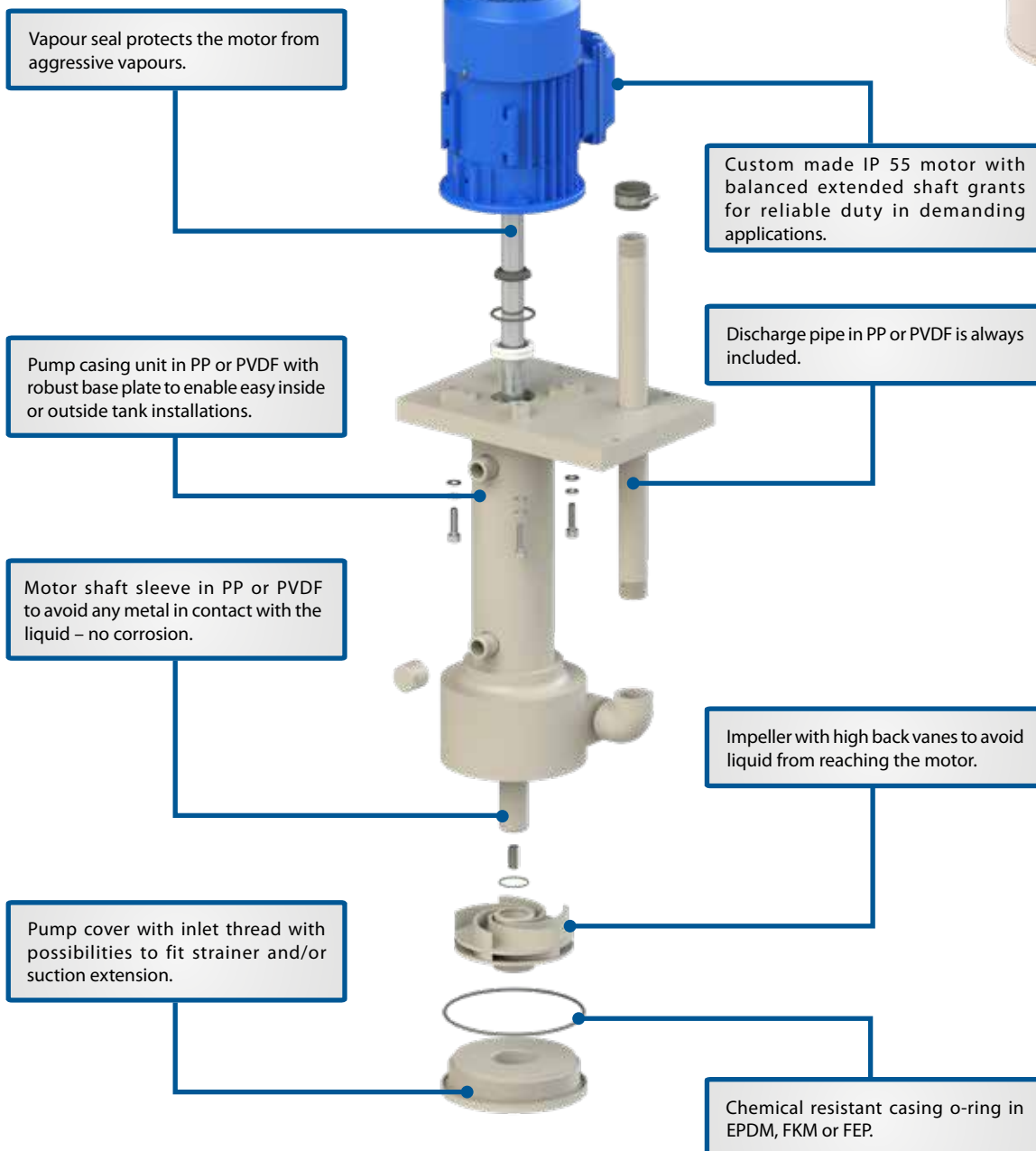
## PP

PP (polypropylene) is suitable for variety of chemicals at temperatures up to 70°C. Ideal for pickling baths and acidic degreasing solutions.

## PVDF

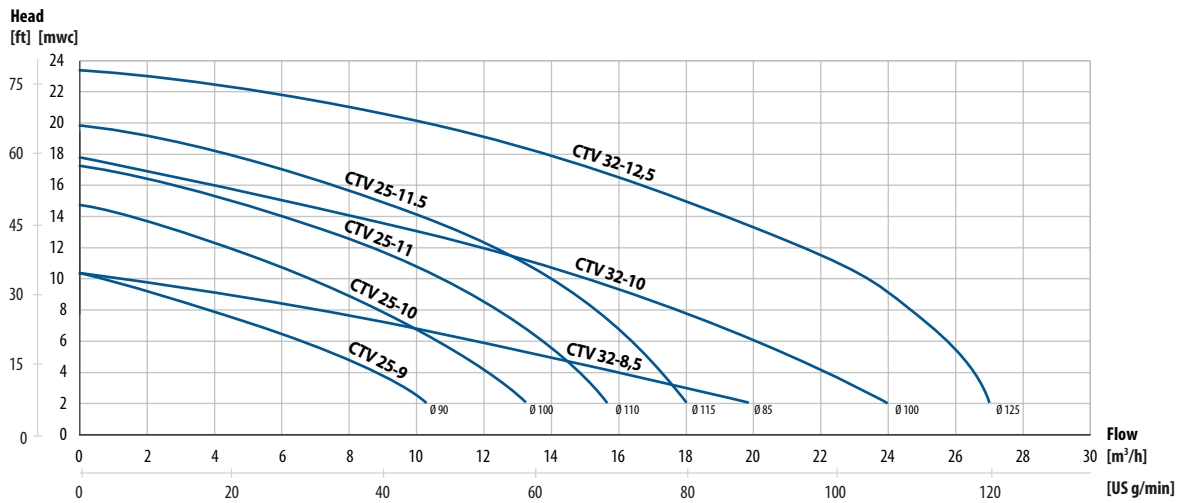
PVDF (polyvinylidene fluoride) has superior chemical and mechanical features. Ideal with hot acids up to 100°C, for example hot hydrofluoric acid.

CTV 25-9:	10.2 m <sup>3</sup> /h
CTV 25-10:	13.2 m <sup>3</sup> /h
CTV 25-11:	15.6 m <sup>3</sup> /h
CTV 25-11.5:	18.0 m <sup>3</sup> /h
CTV 32-8.5:	19.8 m <sup>3</sup> /h
CTV 32-10:	24.0 m <sup>3</sup> /h
CTV 32-12.5:	27.0 m <sup>3</sup> /h



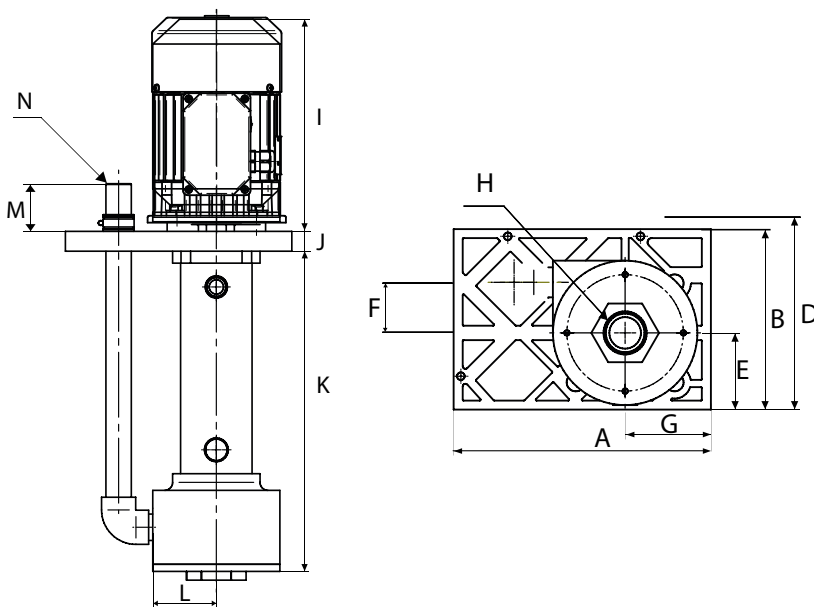
# Performance curves

The performance curves are based on water. (T=20 °C, p=1000 kg/m, n=2900 rpm)



# Dimensions and technical data

Dimensions in mm, where other is not indicate



Dimension	CTV 25	CTV 32
A	285	
B	200	
E	85	
F	56	
G	95	
H	1½"	
J	25	
K	419	
L	123	126
M	60	
N	1"	1¼"
Motor power	D	I
0.55 kW	196	213
0.75-2.2 kW	214	267

General characteristics	25-9	25-10	25-11	25-11.5	32-8.5	32-10	32-12.5
Max capacity (m³/h)	10.2	13.2	15.6	18.0	19.8	24.0	27.0
Max head (m)	10	14	16	19	10	17	23
Motor power (kW)	0.55	0.75	1.1	1.5	1.1	1.5	2.2
Outlet dimension (male BSP)	1"	1"	1"	1"	1¼"	1¼"	1¼"
Motor data	3-phase, 2-pole (~2900 rpm), 380-420 VAC, 50 Hz, IP 55						
Max temperature	Pump in PP: 70°C, pump in PVDF: 100°C						
Materials							
Pump casing and impeller	PP or PVDF						
Casing o-ring	EPDM, FKM or FEP						

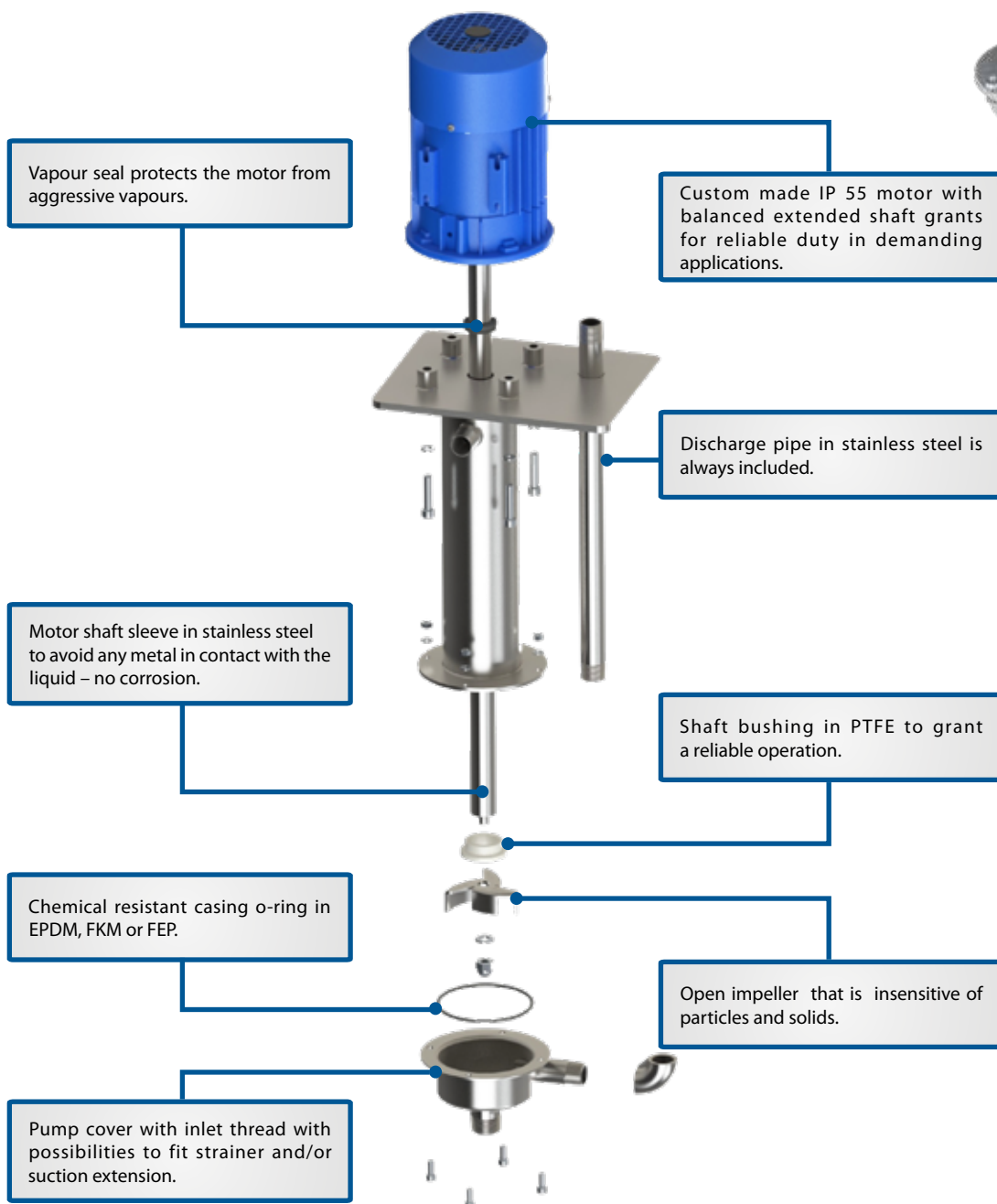
# CTV Pumps stainless steel

## Stainless steel pumps

The stainless steel version is ideal at higher temperatures, up to 100°C and for special applications like transfer hot sodium hydroxide.

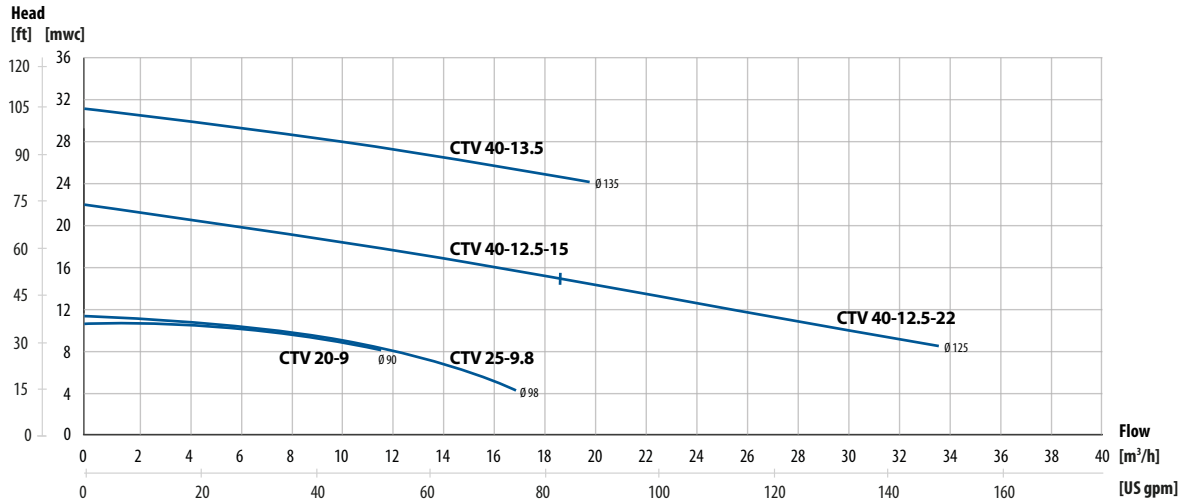
All wetted metal components are made of corrosion resistant stainless steel AISI 316L.

CTV 20-9:	12 m <sup>3</sup> /h
CTV 25-9.8:	17 m <sup>3</sup> /h
CTV 40-12.5:	19 m <sup>3</sup> /h
CTV 40-12.5:	34 m <sup>3</sup> /h
CTV 40-13.5:	20 m <sup>3</sup> /h



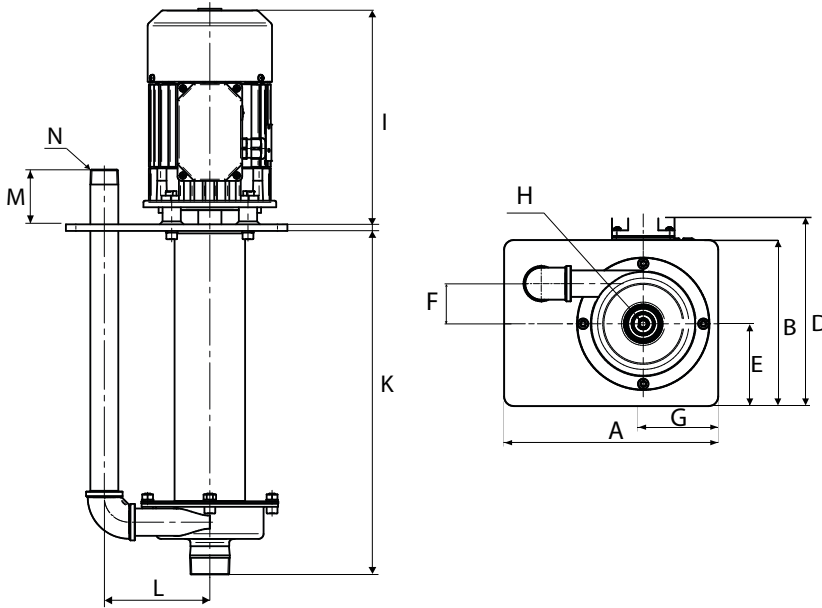
# Performance curves

The performance curves are based on water. (T=20 °C, p=1000 kg/m, n=2900 rpm)



# Dimensions and technical data

Dimensions in mm, where other is not indicated



Dimension	CTV 20	CTV 25	CTV 40
A		267	
B		207	
E		102.6	
F	36	50	66
G		93.5	
H	1"	1½"	1½"
J		8	
K	420.5	420.5	425
L	113.5	127	139
M		60	
N	¾"	1"	1½"
Motor power	D		I
0.55 kW	214		211
0.75-2.2 kW	253		265

General characteristics	20-9	25-9.8	25-9.8	40-12.5	40-12.5	40-13.5
Max capacity (m³/h)	12	17	17	19	34	20
Max head (m)	10	11	11	22	22	31
Motor power (kW)	0.55	0.75	1.1	1.5	2.2	2.2
Outlet dimension (male BSP)	¾"	1"	1"	1½"	1½"	1½"
Motor data	3-phase, 2-pole (~2900 rpm), 380-420 VAC, 50 Hz, IP 55					
Max temperature	100°C					
<b>Materials</b>						
Pumpcasing and impeller	Stainless steel AISI 316L					
Casing o-ring	EPDM, FKM or FEP					

## Sweden

Filaregatan 4 | S-442 34 Kungälv

Tel: +46 303 63390

Fax: +46 303 19916

E-mail addresses:

Commercial questions: [sales@tapflo.com](mailto:sales@tapflo.com)

Orders: [order@tapflo.com](mailto:order@tapflo.com)

Tech support: [support@tapflo.com](mailto:support@tapflo.com)

## Tapflo products and services are available in 75 countries on 6 continents.

Tapflo is represented worldwide by own Tapflo Group Companies and carefully selected distributors assuring highest Tapflo service quality for our customers' convenience.

AUSTRALIA | AUSTRIA | AZERBAIJAN | BAHRAIN | BELARUS | BELGIUM | BOSNIA | BRAZIL | BULGARIA | CANADA | CHILE | CHINA | COLOMBIA | CROATIA | CZECH REPUBLIC | DENMARK | ECUADOR | EGYPT | ESTONIA | FINLAND | FRANCE | GREECE | GEORGIA | GERMANY | HONG-KONG | HUNGARY | ICELAND | INDIA | INDONESIA | IRAN | IRELAND | ISRAEL | ITALY | JAPAN | JORDAN | KAZAKHSTAN | KUWAIT | LATVIA | LIBYA | LITHUANIA | MACEDONIA | MALAYSIA | MEXICO | MONTENEGRO | MOROCCO | NETHERLANDS | NEW ZEALAND | NORWAY | POLAND | PORTUGAL | PHILIPPINES | QATAR | ROMANIA | RUSSIA | SAUDI ARABIA | SERBIA | SINGAPORE | SLOVAKIA | SLOVENIA | SOUTH AFRICA | SOUTH KOREA | SPAIN | SUDAN | SWEDEN | SWITZERLAND | SYRIA | TAIWAN | THAILAND | TURKEY | UKRAINE | UNITED ARAB EMIRATES | UNITED KINGDOM | USA | UZBEKISTAN | VIETNAM

## Tapflo Group Companies

### Australia

Tapflo Oceania (Pty)  
Tel: +61 1800 303 633  
[sales@tapflo.com.au](mailto:sales@tapflo.com.au)

### Austria

Tapflo Austria  
Tel: +43 732 27292910  
[sales@tapflo.at](mailto:sales@tapflo.at)

### Baltic States

Tapflo Latvia  
Tel: +371 67472205  
[sales@tapflo.lv](mailto:sales@tapflo.lv)

### Belarus

Tapflo Belarus  
Tel: +375 17 3934609  
[sales@tapflo.by](mailto:sales@tapflo.by)

### Belgium

Tapflo Benelux B.V.  
Tel: +31 (0)85 00 743 00  
[info@tapflo.nl](mailto:info@tapflo.nl)

### Bulgaria

Tapflo EOOD  
Tel: +359 (0)2 974 18 54  
[office@tapflo.bg](mailto:office@tapflo.bg)

### Canada

Tapflo Canada  
Tel: +1 514 813 5754  
[canada@tapflo.com](mailto:canada@tapflo.com)

### Croatia

Tapflo GmbH  
Tel: +385 91 4884 666  
[sales@tapflo.hr](mailto:sales@tapflo.hr)

### Czech Republic

Tapflo s.r.o.  
Tel: +420 513 033 924  
[tapflo@tapflo.cz](mailto:tapflo@tapflo.cz)

### China

Tapflo (Wuxi)  
Tel: +86 510 8241 7072  
[sales@tapflo.cn](mailto:sales@tapflo.cn)

### Denmark

Tapflo Danmark  
Tel: +45 36 454600  
[info@tapflo.dk](mailto:info@tapflo.dk)

### France

Tapflo France  
Tel: +33 1 34 78 82 40  
[info@tapflo.fr](mailto:info@tapflo.fr)

### India

Tapflo Fluid Handling India Pvt Ltd  
Tel: +91 20 65000215  
[ac@tapflo.in](mailto:ac@tapflo.in)

### Ireland

Tapflo Ireland Ltd  
Tel: +353 1 2011911  
[info@tapflo.ie](mailto:info@tapflo.ie)

### Italy

Tapflo Italia  
Tel: +39 0362307698  
[info@tapfloitalia.com](mailto:info@tapfloitalia.com)

### Japan

Tapflo Japan K.K.  
Tel: +81-3-6240-3510  
[tapflojp@tapflo.co.jp](mailto:tapflojp@tapflo.co.jp)

### Kazakhstan

Tapflo Kazakhstan  
Tel: +7 727 3278347  
[sales@tapflo.kz](mailto:sales@tapflo.kz)

### Netherlands

Tapflo Benelux B.V.  
Tel: +31 (0)85 00 743 00  
[info@tapflo.nl](mailto:info@tapflo.nl)

### Poland

Tapflo Sp. z o.o.  
Tel: +48 58 530 42 12  
[info@tapflo.pl](mailto:info@tapflo.pl)

### Romania

S.C. Tapflo Rom. S.r.l.  
Tel: +40 21 3451255  
[sales@tapflo.ro](mailto:sales@tapflo.ro)

### Russia

Tapflo Company  
Tel: +7 495 232 18 28  
[sales@tapflo.com.ru](mailto:sales@tapflo.com.ru)

### Serbia

Tapflo d.o.o.  
Tel: +381 21 44 58 08  
[sales@tapflo.rs](mailto:sales@tapflo.rs)

### Slovakia

Tapflo s.r.o.  
Tel: +421 911 137 883  
[tapflo@tapflo.sk](mailto:tapflo@tapflo.sk)

### Slovenia

Tapflo GmbH  
Tel: +386 68 613 474  
[sales@tapflo.hr](mailto:sales@tapflo.hr)

### Spain

Tapflo Iberica  
Tel: +34 91 8093182  
[avives@tapfloiberica.es](mailto:avives@tapfloiberica.es)

### South Africa

Tapflo (Pty) Ltd  
Tel: +27 31 701 5255  
[sales@tapflo.co.za](mailto:sales@tapflo.co.za)

### Turkey

Tapflo Makina Ltd  
Tel: +90 216 467 33 11  
[sales@tapflo.com.tr](mailto:sales@tapflo.com.tr)

### Ukraine

TOB Tapflo  
Tel: +380 44 222 68 44  
[sales@tapflo.ua](mailto:sales@tapflo.ua)

### Uzbekistan

Tapflo Uzbekistan  
Tel: +998 712370940  
[sales@tapflo.uz](mailto:sales@tapflo.uz)

### United Kingdom

Tapflo (UK) Ltd  
Tel: +44 2380 252325  
[sales@tapflo pumps.co.uk](mailto:sales@tapflo pumps.co.uk)